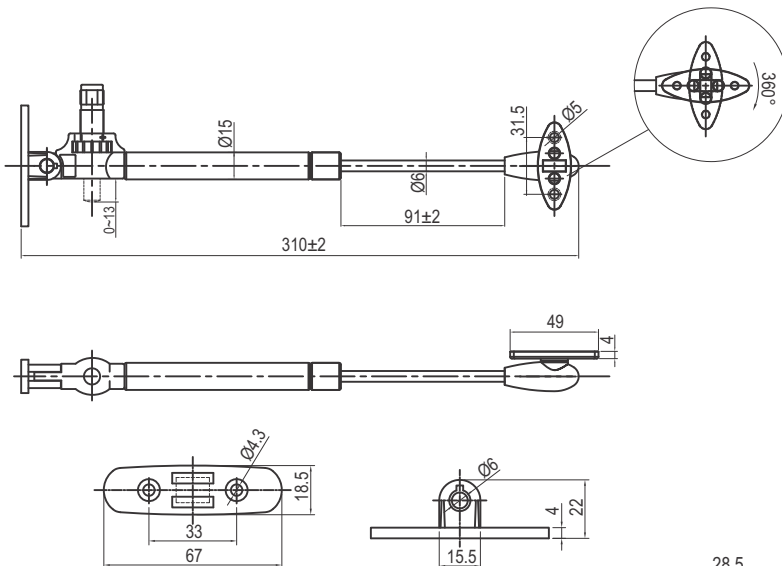




| OPM Amort.gasni slow HS | | |
|-------------------------|----------|-------|
| Snaga | jed.mere | Šifra |
| 60N | kom | 6929 |
| 80N | kom | 6930 |
| 100N | kom | 6931 |
| 120N | kom | 6932 |
| Materijal: Čelik/PVC | | |



| Širina fronta(mm) | | | | |
|-------------------|-------|--------|--------|--------|
| | 450 | 600 | 900 | 1200 |
| Visina fronta(mm) | 2x60N | 2x60N | 2x80N | 2x100N |
| 400 | 2x60N | 2x100N | 2x100N | 2x120N |
| 500 | 2x60N | 2x100N | 2x100N | 2x120N |
| 600 | 2x80N | 2x100N | 2x120N | |

